

PLACEMENT TIPS

- Avoid placing loudspeakers in the corners of a room. This increases the low-frequency output and can cause the sound to be unclear and indistinct.
- Avoid placing loudspeakers against a wall. This, too, increases the low frequency output, though not as much as corner placement. However, if you do need to reinforce the low frequencies, this is a good way to do it.
- Avoid placing the active speakers directly on a hollow stage floor. A hollow stage can resonate at certain frequencies, causing peaks and dips in the frequency response of the room. It's better to place the speakers on a sturdy table or tripod stands.
- Position the speakers so the high-frequency drivers are two to four feet above ear level to the audience to maintain high frequency quality.

MAINTENANCE AND WARRANTY

While we have chosen the best components to make this product as rugged and reliable as possible, some parts in audio products (potentiometers, faders, switches) are subject to wear which is a matter of operation cycles, and not of time.

In many cases, malfunction of electro-mechanical parts occurs due to dust contamination, which may require cleaning of such parts. As the inside of such parts is not accessible, a common practice is to use cleaning fluids in the shape of sprays. Please be reminded that many of such fluids contain chemicals which may wash away the dust but at the same time corrode or damage contact surface and may cause cosmetic damage to other parts. We hence explicitly exclude any claims for exchange of damaged part due to mechanical or chemical impact.

1 YEAR GUARANTEE

Hybrid

HF5 PERSONAL MONITORS



Hybrid

USER MANUAL

REV A 01-2017

WELCOME

Congratulations on your purchase of a Hybrid HFS speaker, engineered and designed by Hybrid. The HF5 includes a high-output compression driver, and 5" woofer producing an even, smooth quality sound.

FEATURES

- 5" Full Range Active + Slave speaker System.
- Bluetooth module.
- Long-throw woofer with high-temperature voice coil.
- Ultra-wide, smooth dispersion of high and mid frequencies.
- Mic / Line input and line out , pass-through connector.

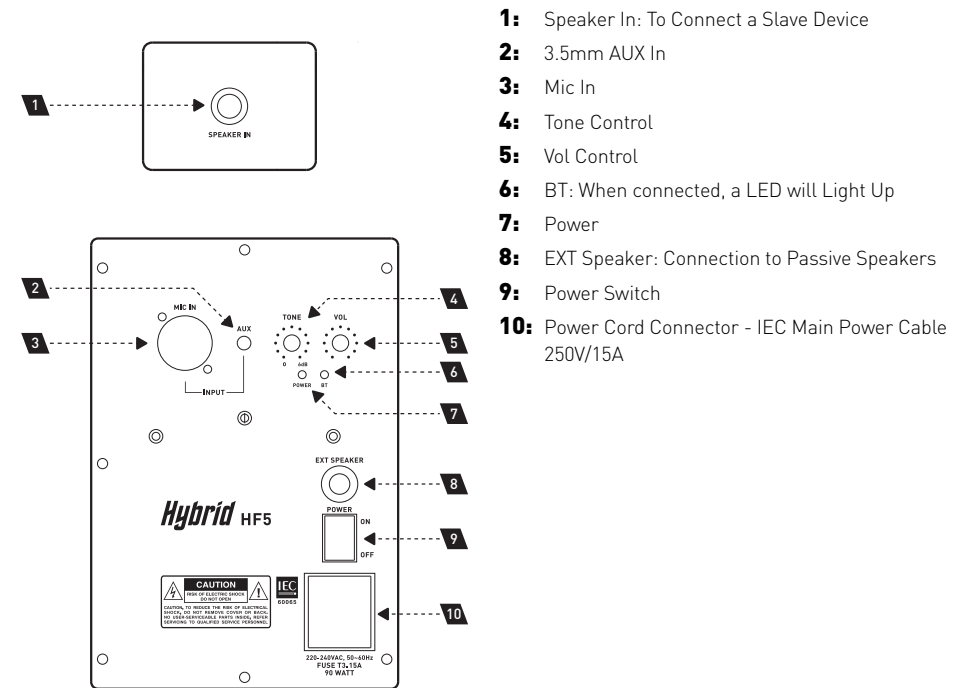
IMPORTANT SAFETY INSTRUCTIONS

- All operating instructions should be read before using this equipment.
- To reduce the risk of electrical shock, do not open this unit. There are **no replaceable parts inside**. Please refer servicing to a qualified service technician.
- This unit should only be cleaned with a damp cloth. Avoid solvents or other cleaning detergents.
- When moving this equipment, it should be placed in its original carton and packaging. This will reduce the risk of damage during transit.
- **Do not expose this unit to rain or moisture.**
- **Do not use any spray cleaner or lubricant on any controls or switches.**
- Make sure **all** of your equipment is completely **off** and lower **all volume, level and gain** controls before connecting a sound source.
- **Only line level signals should be sent to your speaker.**

Disregarding any of the above will void your warranty!!!!

USER INTERFACE ELEMENTS

Rear Side



- 1:** Speaker In: To Connect a Slave Device
- 2:** 3.5mm AUX In
- 3:** Mic In
- 4:** Tone Control
- 5:** Vol Control
- 6:** BT: When connected, a LED will Light Up
- 7:** Power
- 8:** EXT Speaker: Connection to Passive Speakers
- 9:** Power Switch
- 10:** Power Cord Connector - IEC Main Power Cable 250V/15A

UNPACKING

Please check that the box contains the following items:

MAIN PARTS

- 1pc. HF5 Active Speaker
- 1pc. HF5 Passive Speaker
- 1pc. Power cable
- 1pc. Operation manual

* If any part is missing, please contact your dealer immediately for replacement.