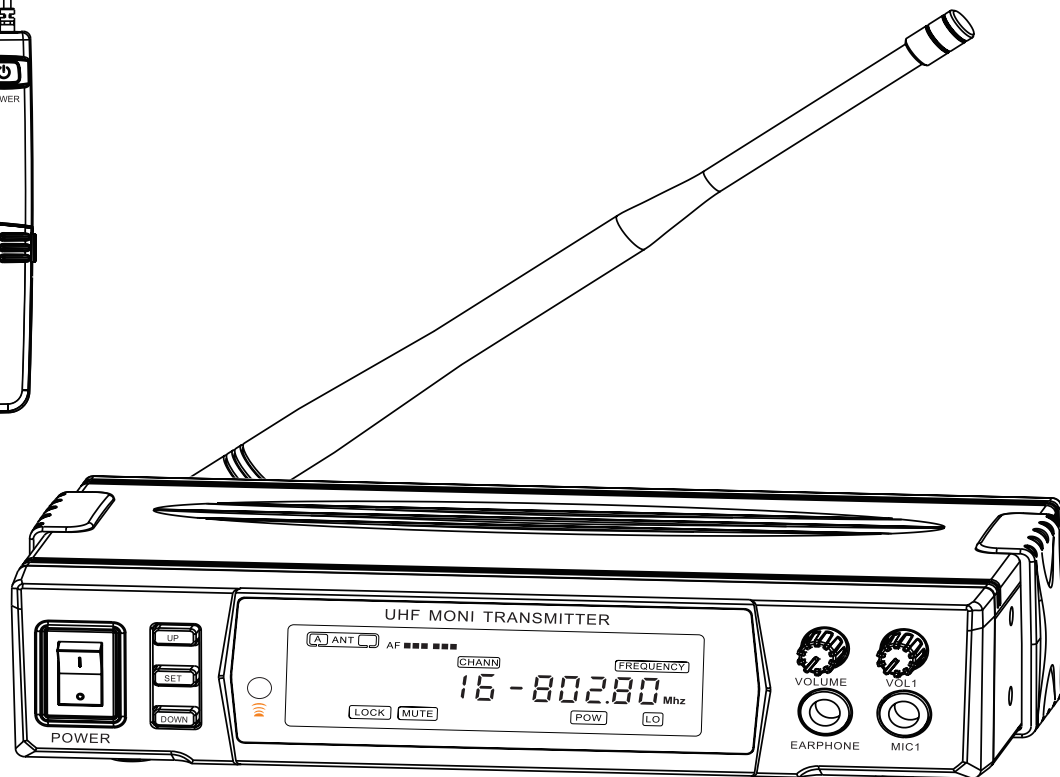
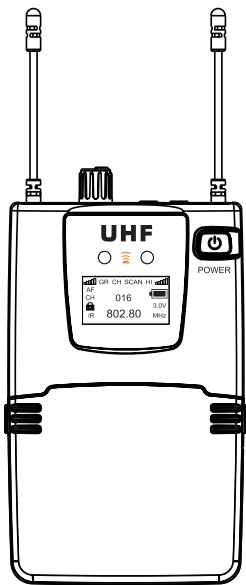


Hybrid

U-MV mkii

PROFESSIONAL WIRELESS
IN-EAR MONITORING SYSTEM



USER MANUAL

Hybrid

Please read these instructions carefully which includes important information about the installation, operation and maintenance.

INTRODUCTION

- Congratulations on your purchase of the new Hybrid U-MV mkii professional wireless In-ear Monitoring system, and thank you for your confidence in the Hybrid brand. You are amongst the growing number of audio professionals who have made Hybrid one of Southern Africa's leading brands of professional and commercial audio systems.
- For your safety, please read the important precautions operating your Microphone. The wireless monitoring system is specially designed for the stage, hotel security management and other highly demanding occasions. This system includes two parts, a receiver and transmitter. One transmitter can use with unlimited quantity of receivers.

PLEASE NOTE

- When used, the main engine should be avoided when the dead angle to keep the signal received in good condition.
- Do not throw the machine, it will otherwise cause damage.
- The body is not waterproof, should avoid water or rain.
- Should avoid the sun and try to stay away from the electromagnetic field. Please put the battery in the right place, and remove the battery when it is not used for a long time.
- When the battery is replaced, please turn off the power supply.
- If the receiver is not used for a long time, please unplug the power.
- Do not disassemble the machine, so as not to cause damage to your body.
- This machine does not contain any modification, please do not disassemble the modification, otherwise you will lose the right to guarantee.
- This machine can be cleaned with a soft cloth, if there are stubborn stains, use neutral detergent to scrub.
- For full ventilation, the minimum clearance is 30CM.
- Ventilation holes should not cover items such as newspapers, table cloths and curtains.
- Equipment should not be placed on the bare flame.
- Equipment should not be subjected to water droplets or

water splashing.

- New and old batteries do not mix, and can only use the same or equivalent type to replace the battery.
- Equipment can be used under normal temperature and 5°C-60°C conditions.

In the use of the process if there is interference, the user may wish to try the following methods to adjust or reduce the interference

- Adjust the position and direction of the receiving antenna.
- Keep the device away from the radio and TV sets.
- Plug the device into a power outlet with a different line on TV and radio.

COPYRIGHT

The company has all the rights and the ultimate interpretation of the prohibition of any form of copy or copy of this manual Any part of. Although in the process of the preparation of the manual to consider the place should pay attention, but also can not The use of this manual is to ensure all parts of this manual no danger of anything going wrong, if there is any error, the company did not Obligation to take any responsibility for the.

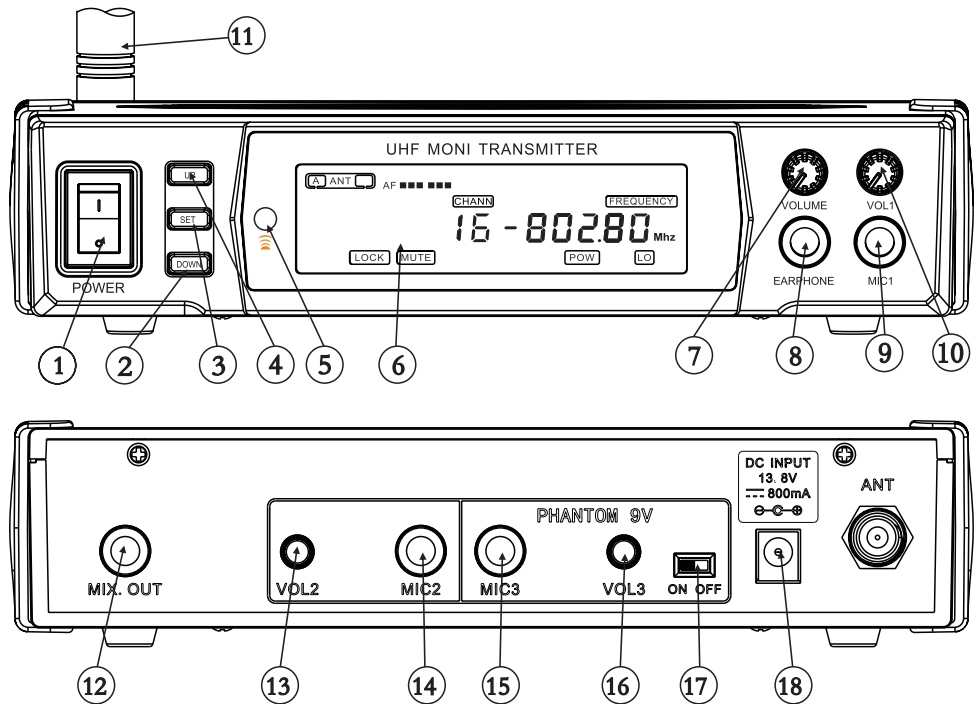
U-MV MKII - IN-EAR MONITORING SYSTEM

MAIN FEATURE

- True diversity receiver, guarantees no dead spot in working area.
- Using UHF 600-999MHz band to avert frequency interference.
- Three audio source input jacket, support phantom power microphone input.
- One transmitter can use unlimited body-pack receivers.
- PLL circuit design, preset 99 non-interfered channels.
- Automatic frequency scan feature searches for available frequencies .
- Splendid LCD display, shows the RF level, AF level, channel and frequency.
- Strong transmitter power, the distance can be reached 100 meters.
- Half of 19 inch rack design, two systems can be connected for 19" rack.
- Designed for professional stage use.

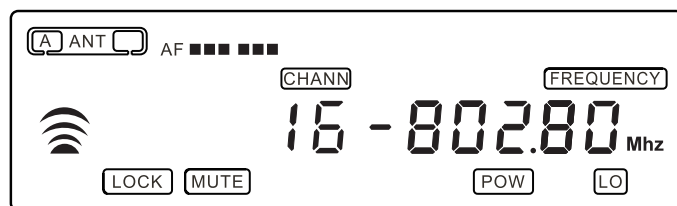
TRANSMITTER

1. Power on/off
2. Downward
3. Function key
4. Upward
5. IRwindow
6. LCD display
7. Earphone volume control knob
8. Earphone socket
9. MIC1 socket
10. MIC1 volume control knob
11. Antenna
12. Audio output
13. MIC2 volume control knob
14. MIC2 audio input
15. MIC3 audio input, will phantom power
16. MIC3 volume
17. Phantom power switcher
18. DC input



TRANSMITTER LCD DISPLAY

- AF ■■■■■ Audio signal level
- [A] ANT [] Currently chosen antenna
- [IR] IR SYNC is underway
- [OPEN] Buttons unlocked and functions can be set
- [LOCK] Button is locked



- 1: Insert 2xM batteries and long press power button to turn on the receiver. Tips: Turn down the volume to be Min and adjust after headset inserted.
- 2: Only when frequencies of receiver and transmitter SYNC, the system works. Signal LED would change when transmit signal level varies.
- 3: Need to SYNC if frequencies are different on receiver and transmitter. Please refer to transmitter SYNC instructions.

Hybrid

TECHNIQUE INDEX

Transmitter

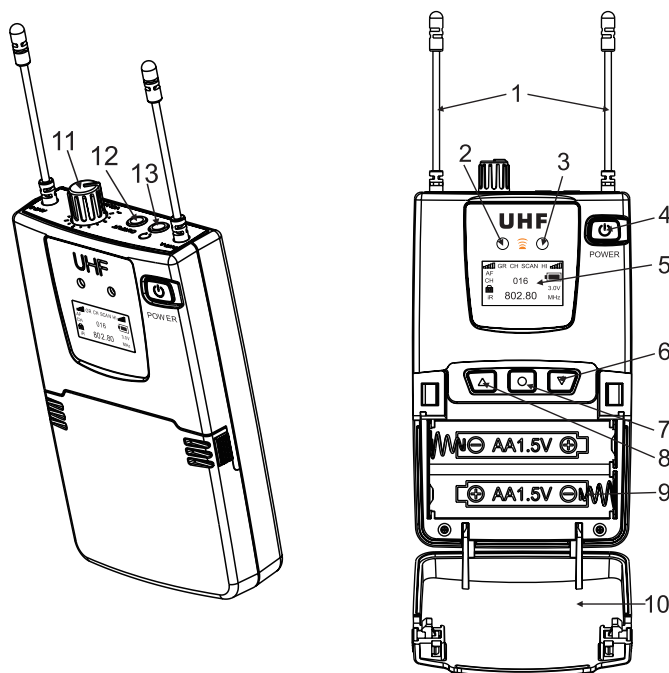
Adapter voltage : DC13.8V 800mA
 Transmitter power: HI:100mW / LO: 30mW
 Modulation mode: FM
 Ultraharmonics: >60dB
 Frequency stability: ±0.005%
 Modulation: 40KHz
 Harmonic distortion: <0.5%
 Headset obstruction: 32 ohm

Receiver (Bodypack Wireless Monitor)

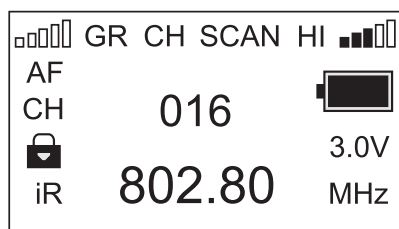
Adapter voltage: 3V (2X1 .5V AA battery)
 Harmonic distortion: <0.5%
 Adjacent channel interference ratio: >90dB
 Image interference ratio: >80dB
 Receiving sensitivity: <1 0dBuV(SINAD=30dB)
 De-emphasis: 50us
 Headset obstruction : 32 ohm

BODYPACK RECEIVER

1. Antenna
2. ACT transmit window
3. ACT receive window
4. Power switch
5. LCD display
6. Down button
7. Set button
8. Up button
9. Battery tank
10. Battery cover
11. Volume control knob
12. Line output
13. Earphone input



LCD DISPLAY INDICATION



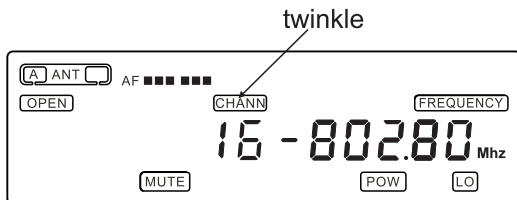
- Indicated the signal level
- GR CH SCAN HI** Indicated the SET mode: free frequency/ frequency select/scan free frequency and hi or low power select.
- AF** Indicated the audio signal.
- CH 016** Indicated the current Channel, 99channels for selection
- 802.80 MHz** Indicated the current frequency
- iR)))** Indicated it is on transmit signal status.
- Indicated the battery voltage.the current voltage is 3.0V
- Indicated the current locked status.
- Indicated the current unlocked status.
- CHANN** Indicated the Channel.
- MUTE** Indicated the MUTE status.
- POW HI/LO** Indicated the power lever, high low.

U-MV MKII - IN-EAR MONITORING SYSTEM

LCD DISPLAY FUNCTION SETTING

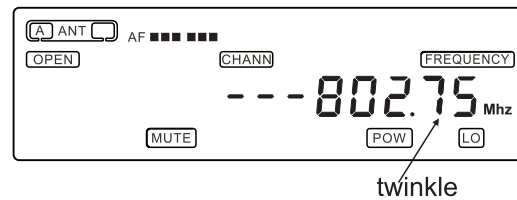
When on the working status, long press the SET button to unlock, then enter into the function setting status.

LL CHANNEL SETTING:



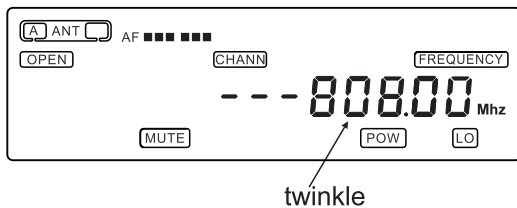
Long press the SET button to enter into the Channel setting, then press the UP or DOWN button to choose the suitable channel.

FREQUENCY SETTING :



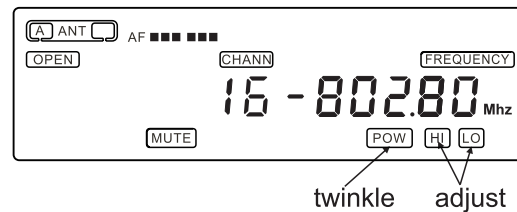
Press again the SET button to enter into the Frequency setting, then press UP or DOWN button to choose the suitable frequency. The gap is 0.05MHz per step.

FREQUENCY COARSE CONTROL SETTING MODE:



Press SET button again to get into the mode, and then press UP or DOWN button to choose suitable frequency. The interval for each adjustment is 1.00MHz.

TRANSMITTING POWER CONTROL MODE:



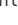
Press SET button again to get into the mode, and then press UP or DOWN button to choose high power HI or LO. Set according to the distance between the transmitter and the receiver to make a suitable choice between high and low to reach ideal performance.

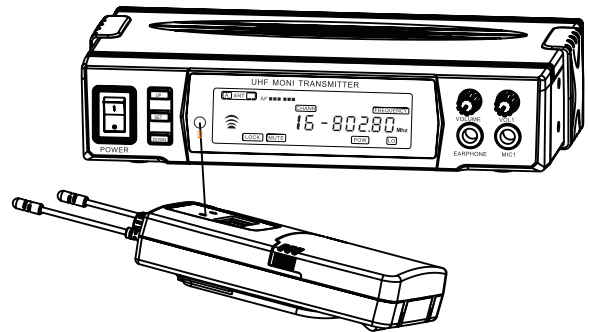
TRANSMITTER OPERATION

- Pull out the antennas and make them perpendicular to the receiver.
- **The connection of power supply.**
Please insert the adapter together with the system into DC jack(18). Make sure your local power supply is suitable for the system before use.
- **The connection of audio cable.**
Mix output: Insert the audio cable into "OUTPUT" jack (12), and insert the other end of the audio cable into "MIX IN" or "AUX IN" of a mixer or an amplifier.
- **Turn on the power switch (1), and then the LCD (6) will be on. The receiver is working.**
Tips: Before turning the power switch on, please adjust the volume knobs(7)(10) to the minimum level. After the receiver is working normally, you can adjust the volume to suitable level.

Hybrid

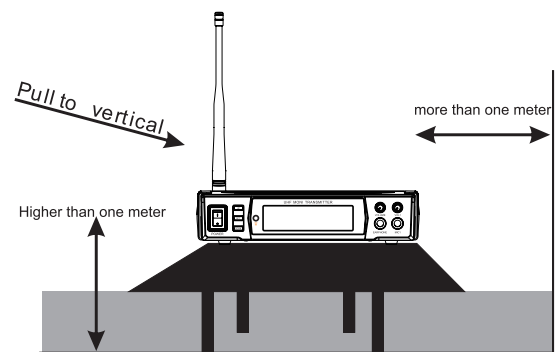
SYNC OPERATION

When the transmitter  is on, long press SET button and then the icon is flashing and the transmitter is transmitting SYNC signals. Please make the two IR windows of body-pack and transmitter close to each other. After the SYNC is successful, the icon disappears, and the body-pack and the receiver are with same frequency.



FREQUENCY COARSE CONTROL SETTING MODE:

- More than one meter from the wall
- More than one meter from the ground
- Keep antenna vertical, otherwise it will degrade the receiving performance.



U-MV MKII - IN-EAR MONITORING SYSTEM

U-MV mkii

**PROFESSIONAL WIRELESS
IN-EAR MONITORING SYSTEM**

Hybrid